

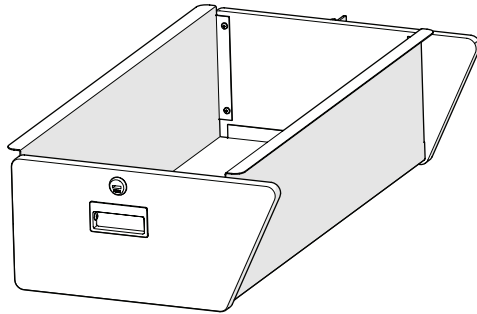
**Basic Instructions only!**  
For more detailed product information, refer to the  
teacherTAXI Owner's Manual 204A099.

**⚠ CAUTION**

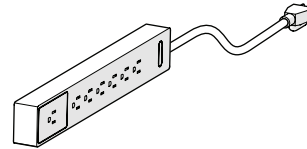
*Make sure anyone assembling, installing or using these products has read and understands these instructions.*

**⚠ CAUTION**

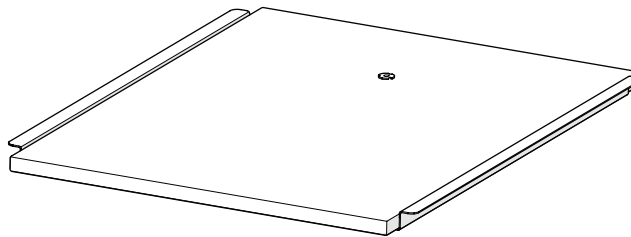
*Failure to comply with Warnings and Cautions in this document or on the equipment can result in damage to property or injury.*



**Drawer Accessory**



**Power Strip Accessory**



**Pullout Work Surface Accessory**

### Contents

Drawer Installation . . . . .	2	Replacement Parts . . . . .	7
Pullout Work Surface Installation . . . . .	4	Cleaning . . . . .	8
Power Strip Installation . . . . .	6		



Visit the teacherTAXI web page at [wengercorp.com](http://wengercorp.com) for more information.

**Note:** Please read and understand these instructions before proceeding.  
**Note:** If you need additional information, contact Wenger Corporation using the information below.

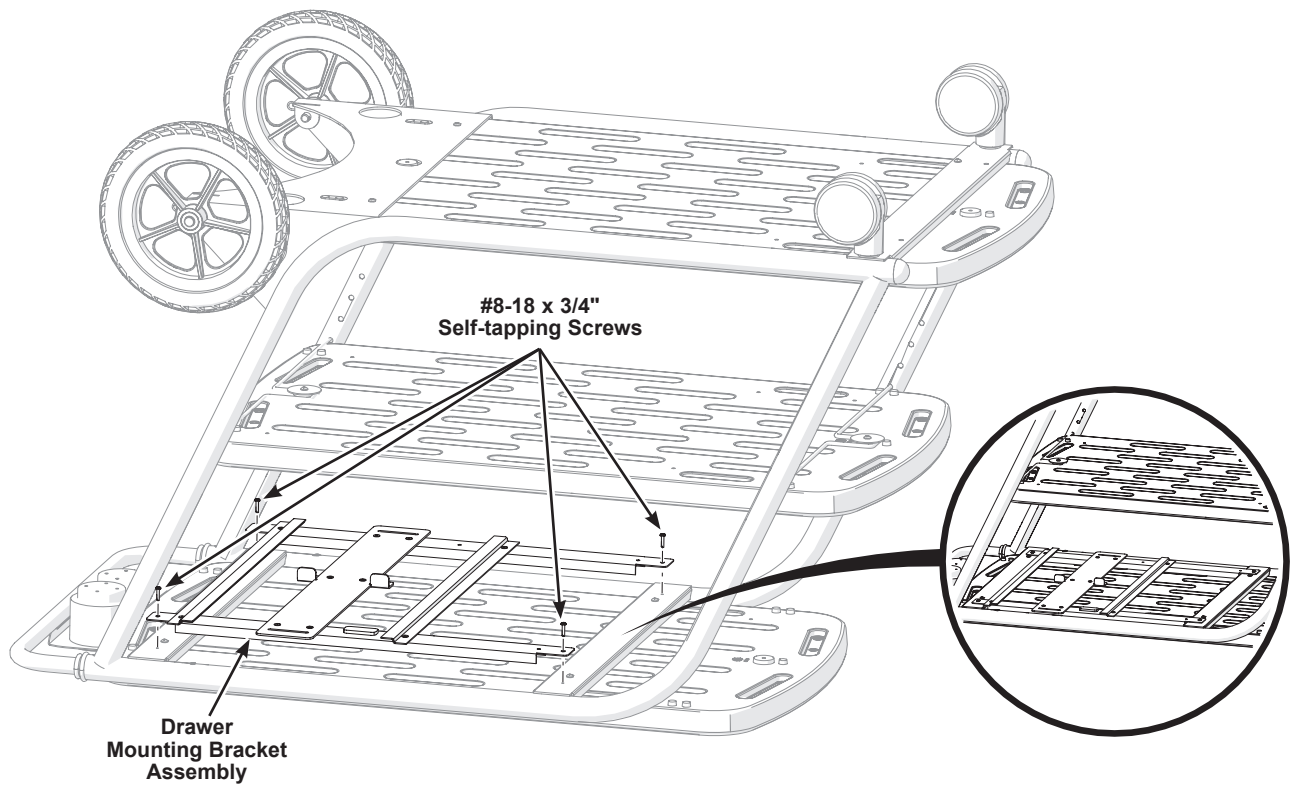
## Drawer Installation

1. Attach the drawer mounting bracket assembly to the frame of the teacherTAXI.

### NOTICE

***Installing the bracket is easier if the teacherTAXI is placed upside down on a work surface.***

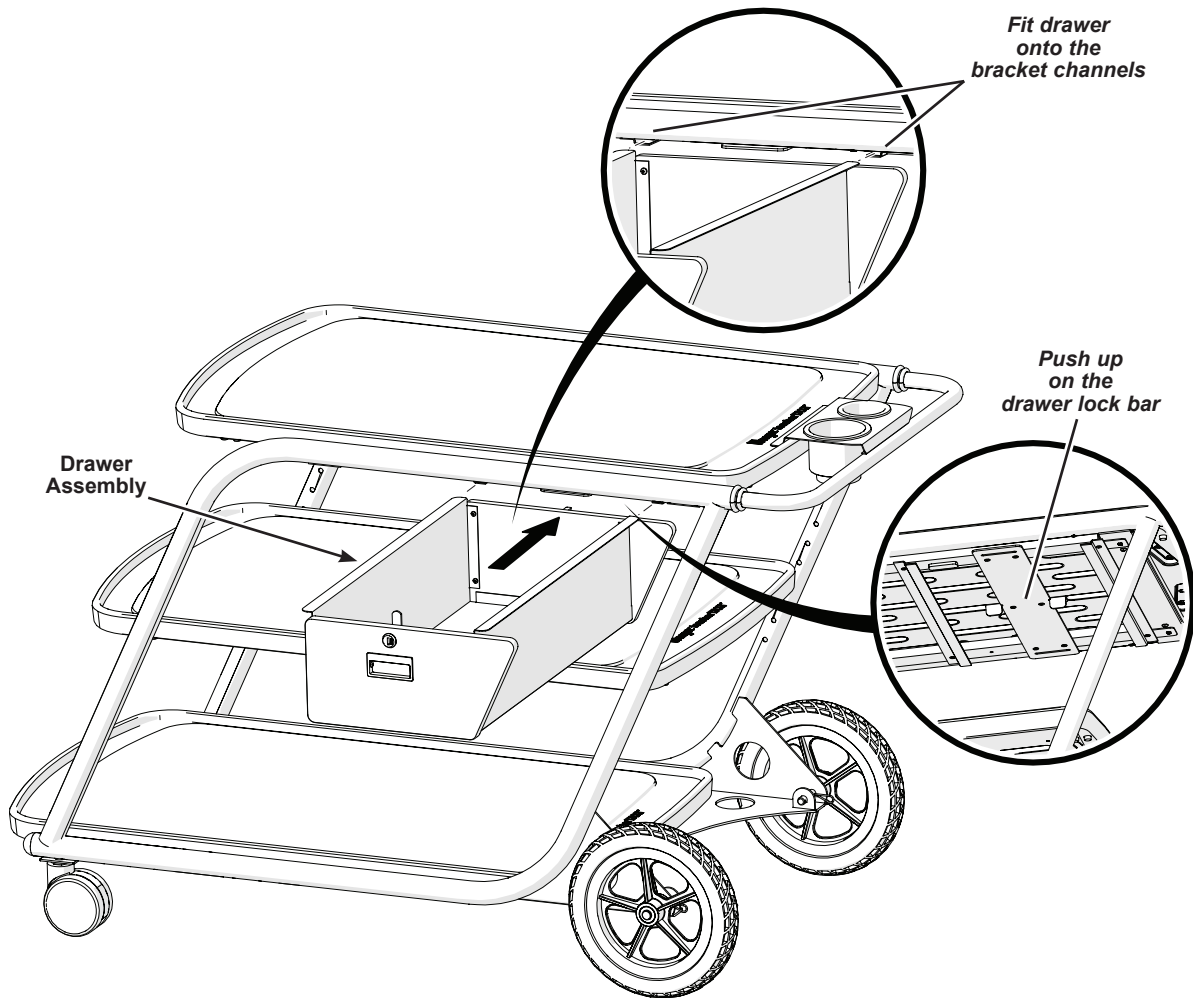
- a. Place the bracket under the top shelf of the teacherTAXI aligning the pilot holes of the bracket and frame of the teacherTAXI.
- b. Attach the bracket to the frame using four #8-18 x 3/4" self-tapping screws.



## ***Drawer Installation (continued)***

---

2. Flip the teacherTaxi upright.
3. Slide the drawer assembly onto the bracket channels.  
Push up the drawer lock bar to secure the drawer onto the brackets.



## ***Pullout Work Surface Installation***

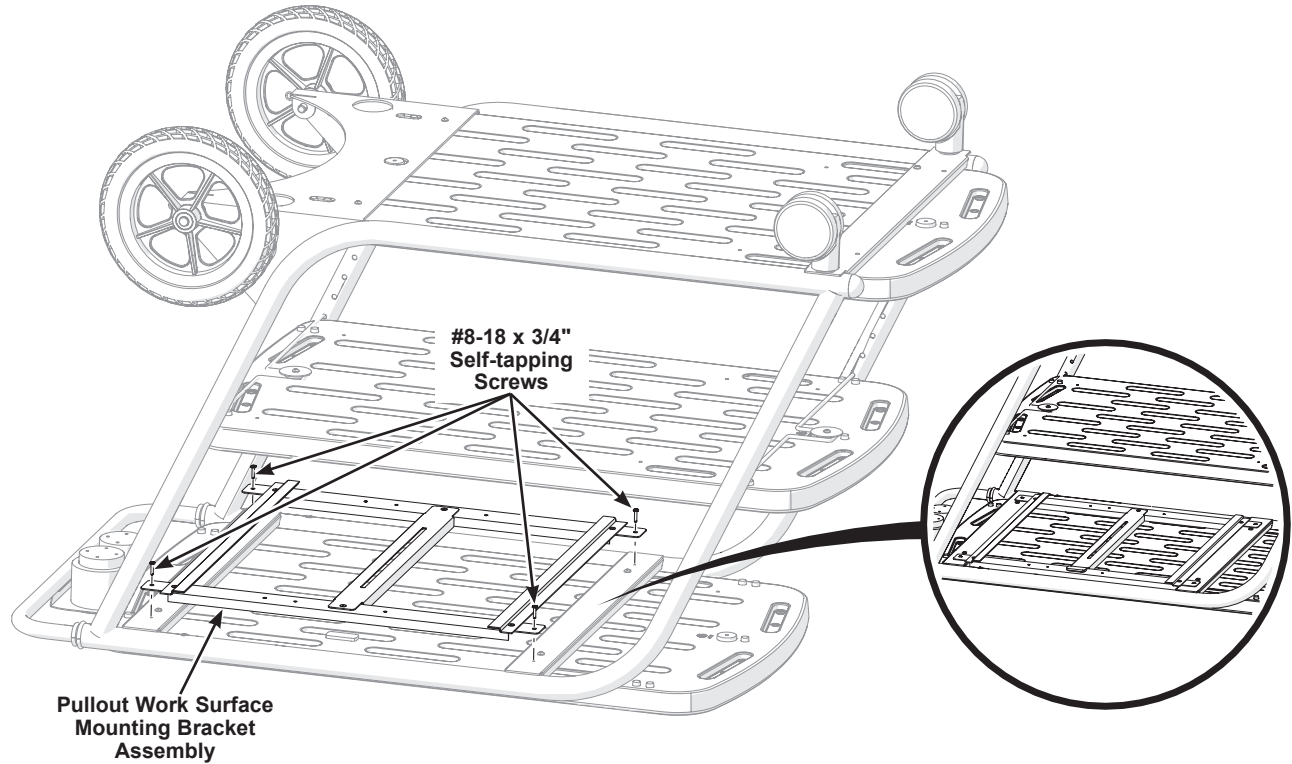
---

1. Attach the pullout work surface mounting bracket assembly to the frame of the teacherTAXI.

### **NOTICE**

***Installing the bracket is easier if the teacherTAXI is placed upside down on a work surface.***

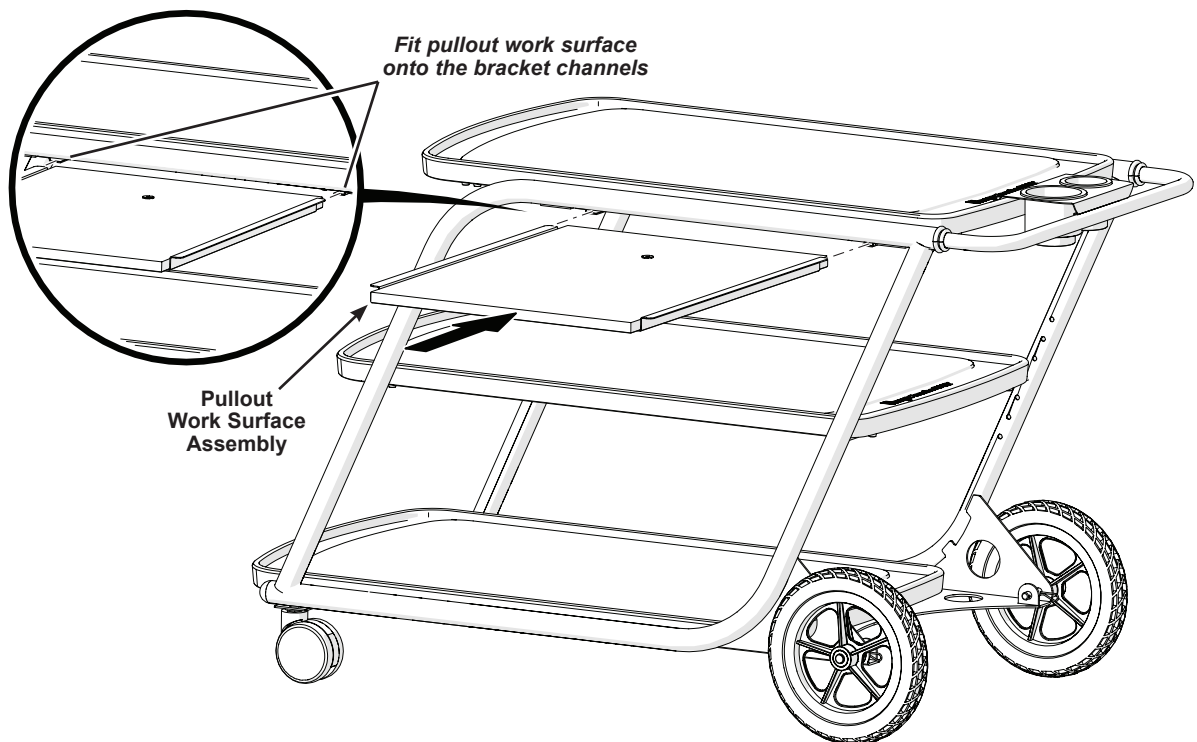
- a. Place the bracket under the top shelf of the teacherTAXI aligning the pilot holes of the bracket and frame of the teacherTAXI.
- b. Attach the bracket to the frame using four #8-18 x 3/4" self-tapping screws.



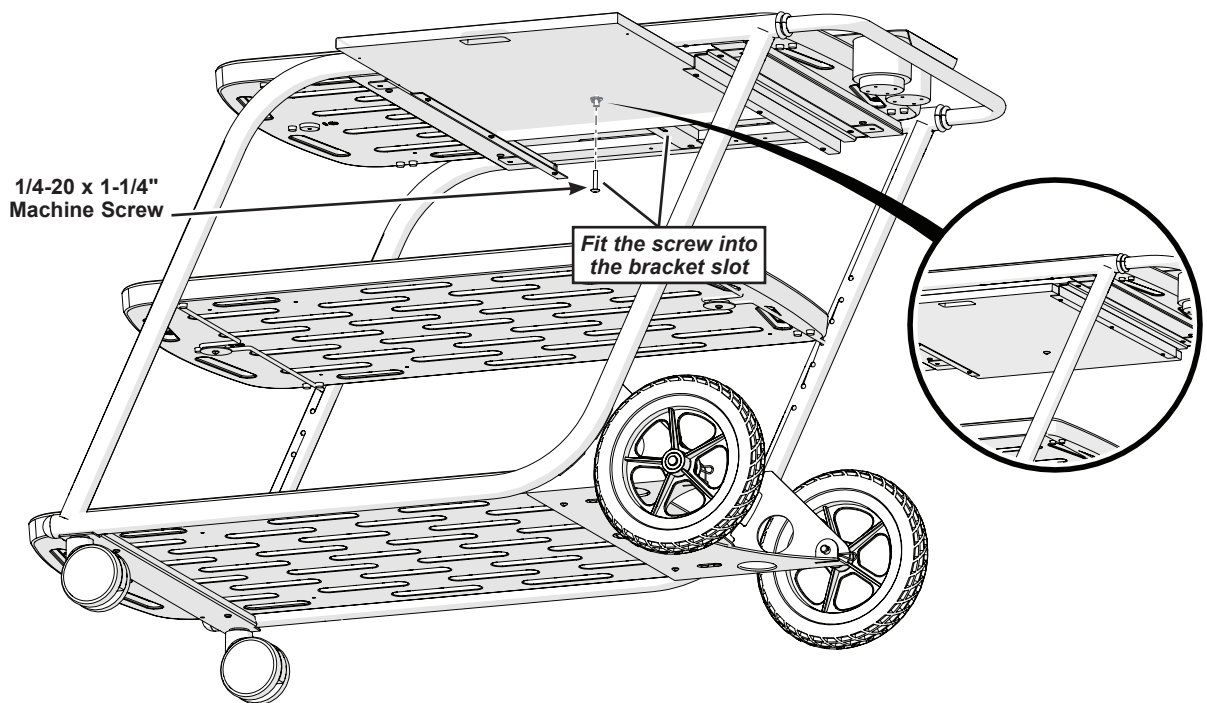
## ***Pullout Work Surface Installation (continued)***

---

2. Flip the teacherTaxi upright.
3. Slide the pullout work surface assembly onto the bracket channels leaving approximately 6" sticking out past the bracket.



4. Secure the pullout work surface to the bracket using a 1/4-20 x 1-1/4" machine screw. Be sure the screw fits into the slot in the mount bracket.



## **Power Strip Installation**

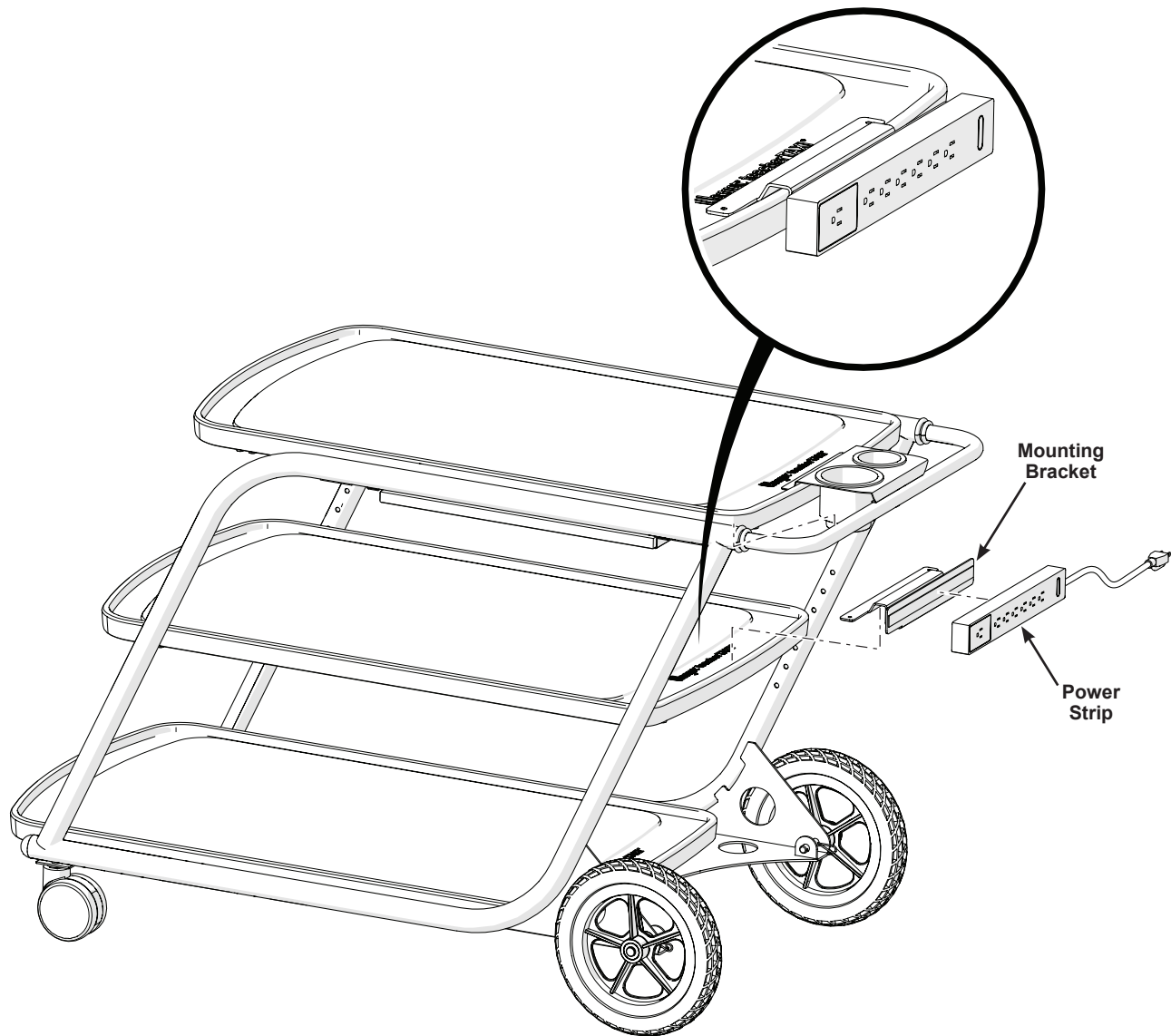
---

1. Using the alcohol pad (provided), clean the surfaces of the power strip and the mounting bracket.
2. Remove the tape backing from the horizontal surface of the power strip mount and fit it on top of the middle shelf at the preferred location.

### **NOTICE**

***Foam tape is difficult to remove once set. Be sure of location before pressing in place.***

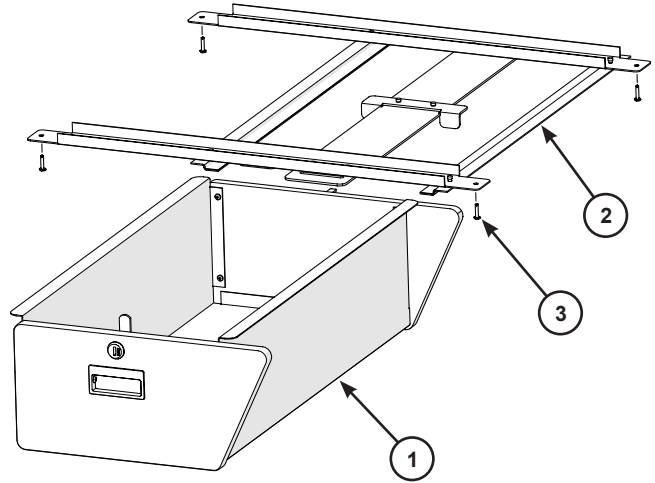
3. Remove the tape backing from the vertical surface of the power strip mount and attach the power strip to it.



# Replacement Parts

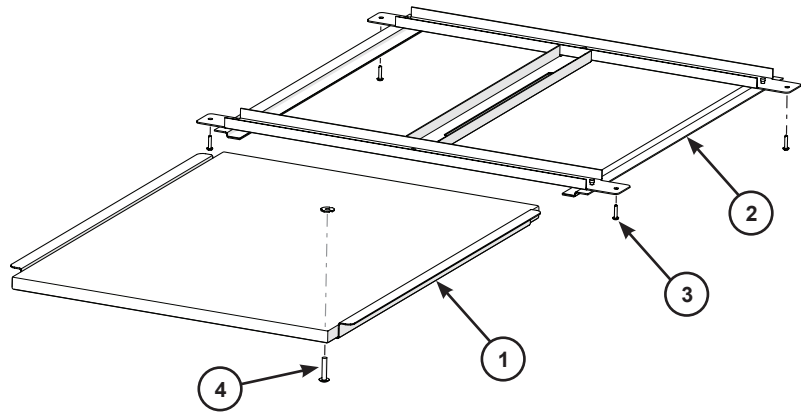
## Drawer Accessory

Item	Qty	Description
1	1	Drawer Assembly
2	1	Drawer Mounting Bracket Assembly
3	4	#8-18 x 3/4" Self-tapping Screw



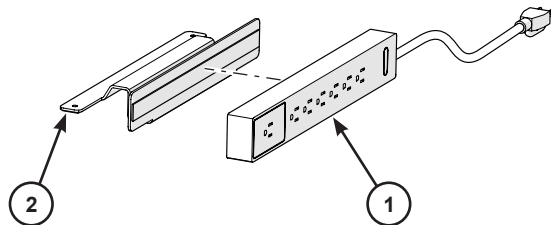
## Pullout Work Surface Accessory

Item	Qty	Description
1	1	Pullout Work Surface Assembly
2	1	Pullout Work Surface Mounting Bracket Assembly
3	4	#8-18 x 3/4" Self-tapping Screw
4	1	1/4-20 x 1-1/4" Self-tapping Screw



## Power Strip Accessory

Item	Qty	Description
1	1	Power Strip
2	1	Power Strip Mounting Bracket



## ***Cleaning***

---

1. Clean metal surfaces with a mild, non-abrasive soap with warm water and a clean, soft cotton cloth.  
**Never use an abrasive or harsh cleaning agent or a chemical cleaning agent.**
2. All plastic components may be cleaned with mild spray cleaner. A soft bristle brush may be required for the textured areas.